

Be sure to check out all the exciting products
Rush Creek has to offer. Visit our web site at:

www.rushcreeklogfurniture.com



Warranty:

All of our products come with a three year warranty on all parts.

Manufacturer Defects:

Defective parts will be replaced at no cost to you. Please send an e-mail to cs@rushcreeklogfurniture.com including photos of the defective part(s) and we will send replacements. PLEASE NOTE: Cracks in logs are not defects. They may develop during the log drying process and do not affect the stability of the piece in any way, and add to the rustic appeal of your log furniture.

If your product needs service, please be advised that Rush Creek reserves the right to decline service when the product is found to be excessively worn, altered in any way, or when damage is caused by acts other than defective workmanship or materials. This warranty is void if the product has been subject to abuse. For service under this warranty, please contact Rush Creek. Please provide your receipt as proof of purchase.

Rush Creek

Rush Creek
West Allis, WI 53227
www.rushcreeklogfurniture.com
Rush Creek is a trademark owned by Triumph Sports USA
©2011 Triumph Sports USA. All Rights Reserved.

Item # 37-0002



Rush Creek™

PUB TABLE



**If you have any problems with your new product,
DO NOT RETURN IT TO THE STORE!**

**Please contact us at 1-866-815-4173,
or e-mail us at cs@rushcreeklogfurniture.com**

Tools Needed For Assembly:

Screwdriver
Allen wrench (included)
Level

Assembly Tips:

Some drawings or images in this manual may not look exactly like your product. Please read and understand the text before starting each assembly step.

If you are using an electric screw driver in assembly, please set at low torque and do not overtighten the hardware.

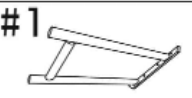
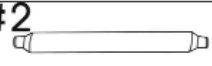
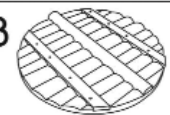



Care:

Apply lemon oil with a soft cotton cloth. Do not use products with silicones this may cause damage to the finish. Never let the wood get in contact with any type of paint remover.

Connections:

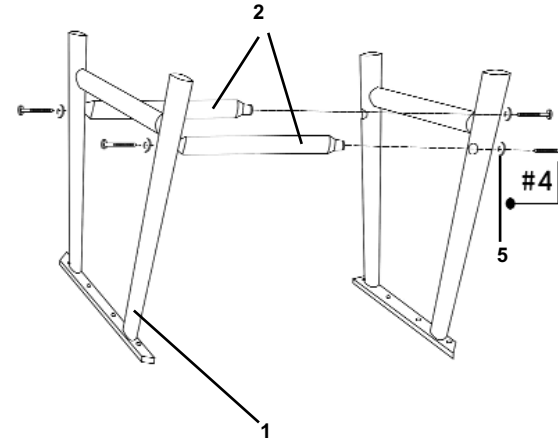
Changes in temperature and humidity will cause the wood to dry out possibly causing the bolts loosen. Check the bolts periodically to make sure they are still tight. DO NOT put your wood game piece directly against hot radiators or sources of heat. Doing this may cause the wood to dry and crack.

Parts List

 #1 Side Panel 2 Pieces	 #2 Leg Support 2 Pieces	 #3 Table Top 1 Piece
 #4 Bolt 12 Pieces	 #5 Washer 12 Pieces	 #6 Allen wrench 1 Piece

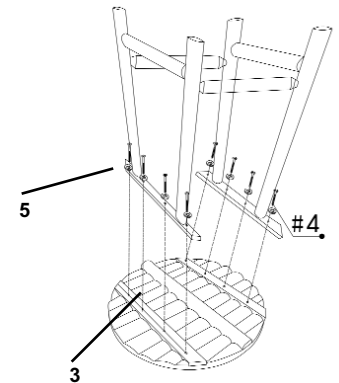
Step 1

Lay the side panel (#1) on its side with the holes for the leg supports facing up. Place the leg supports (#2) firmly in each hole located on the side panel. Take the other side panel and guide the leg supports in to the holes. Turn over the unit and place it on ground with the legs sticking up. Using the (#4) bolts and (#5) washers thread through the side panel and into the leg support. Do not completely tighten at this point.



Step 2

Place the table top face down on a soft carpet or a piece of cardboard to avoid scratching. Line up the pre drilled holes on the top of the leg assembly with the pre drilled holes on the bottom of the table top. Using the (#4) bolts and (#5) washers firmly tighten the leg assembly to the under side of the table surface.



Step 3

Turn the table over and place on a level surface. Make sure all 4 legs are touching the floor and finish tightening the bolts.